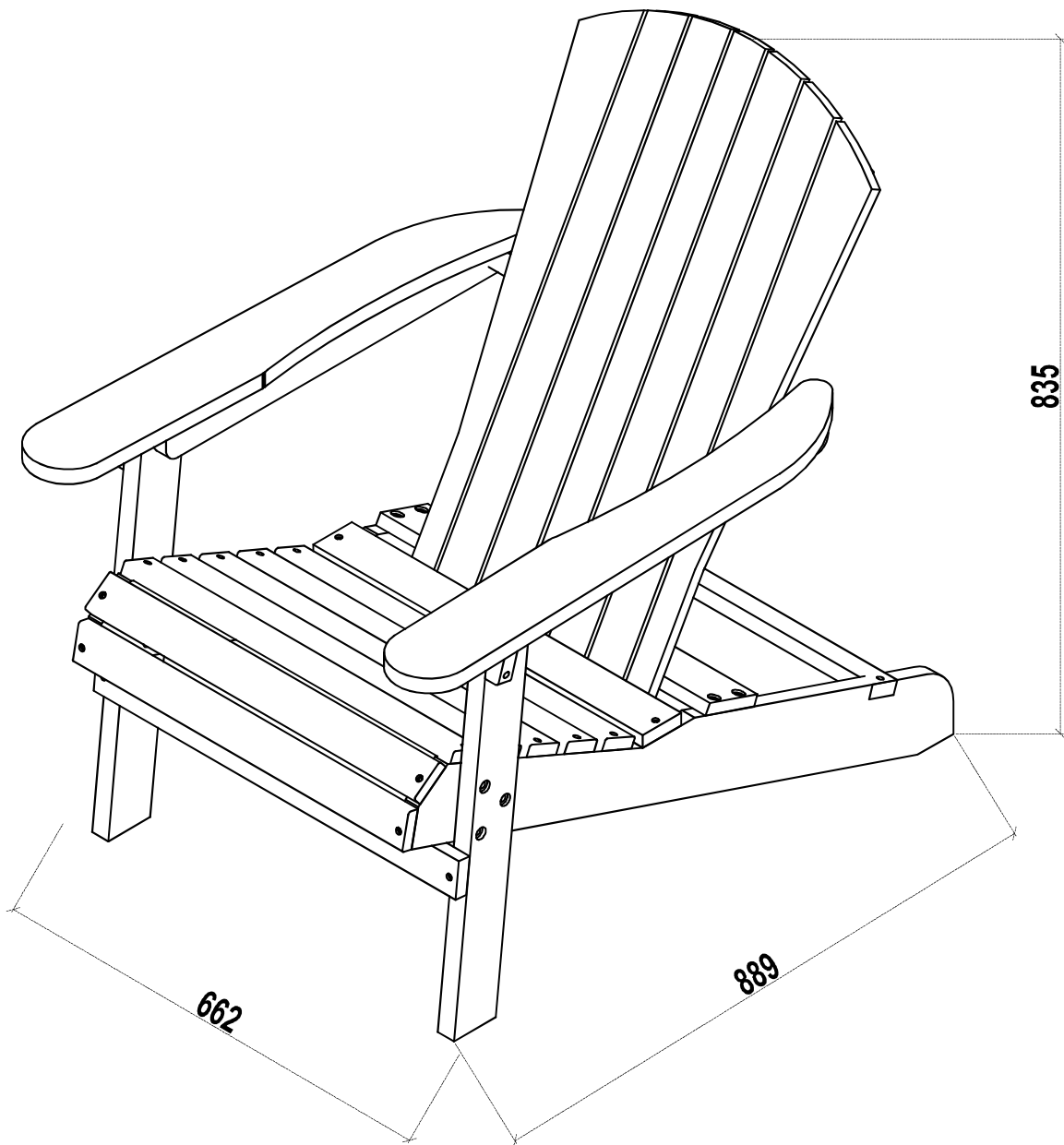




ASSEMBLY INSTRUCTION
REPLICA ADIRONDACK OUTDOOR CHAIR
ITEM CODE 60266

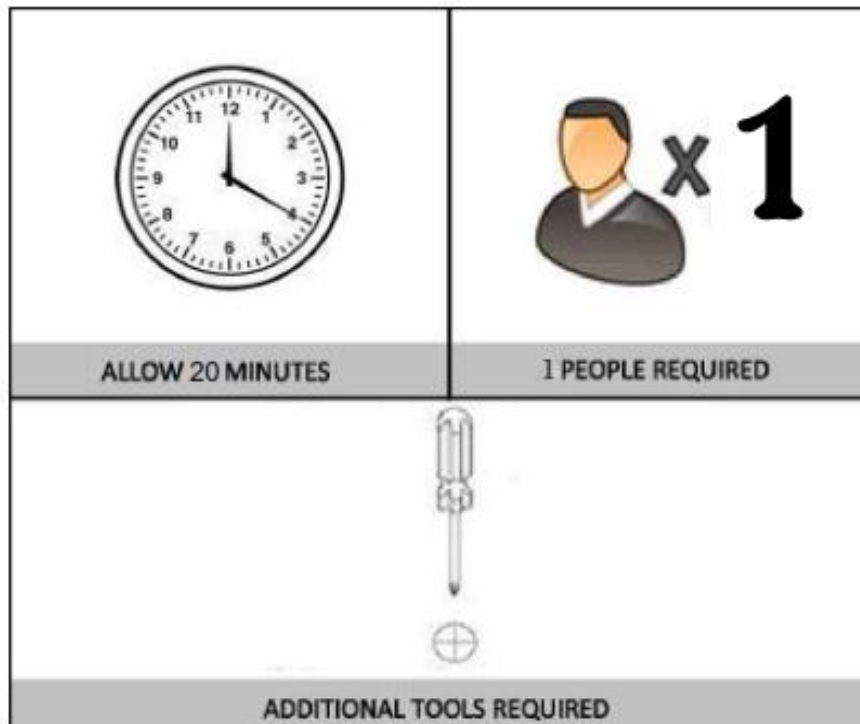
Imported by Amart Furniture Pty Ltd, Qld, Brisbane Australia.
For any assistance with assembly or for missing parts please phone
Amart Furniture, Customer Service Free call 1800 009 466



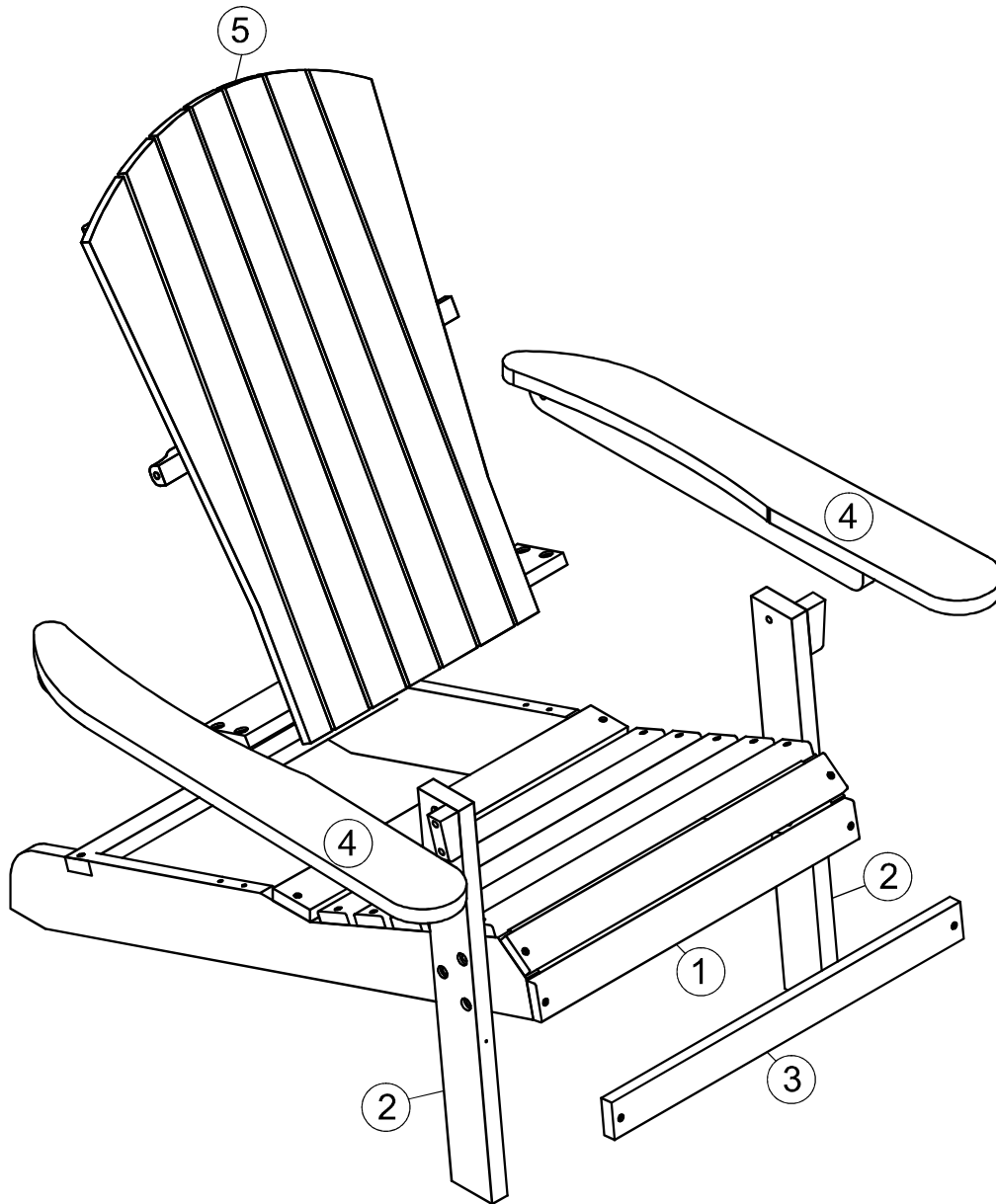
PRE-ASSEMBLY PREPARATION





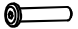



Before you start:

1. Choose a clean, level, spacious assembly area. Avoid hard surfaces that may damage the product
2. Take care when lifting. Product should be assembled as near as possible to the point of use
3. Ensure that you have all required contents for complete assembly
4. Always read the assembly instructions carefully before beginning assembly.
5. Keep all hardware parts and packaging out of reach of small children.
6. Do not over tighten the screws and bolts as this may damage the threads



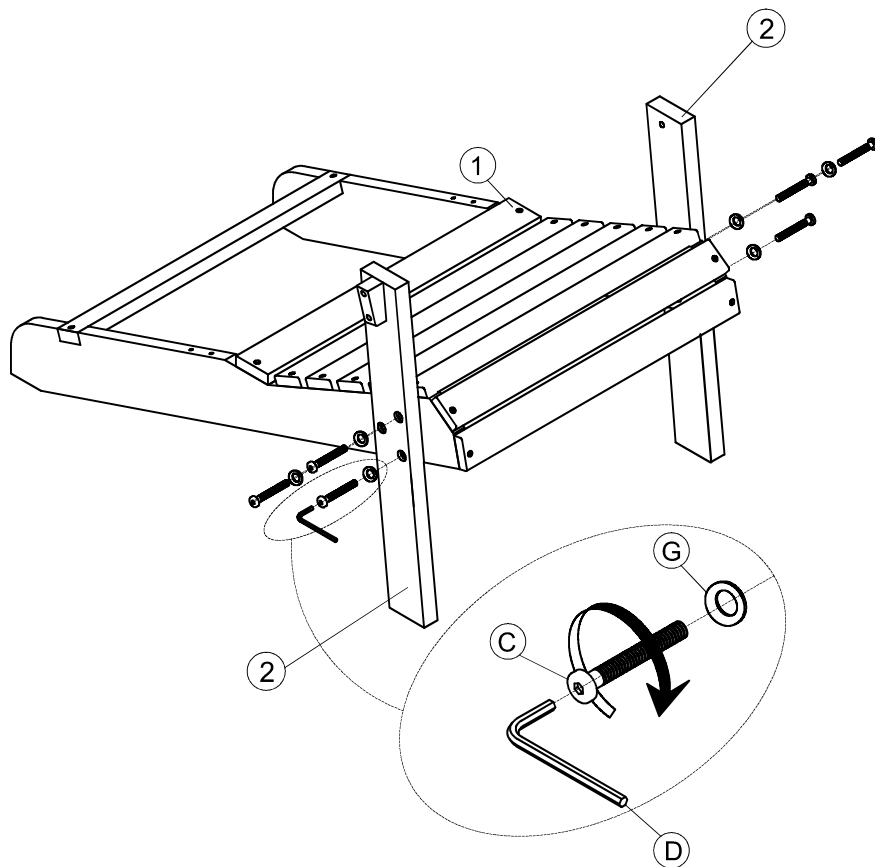
PARTS LIST



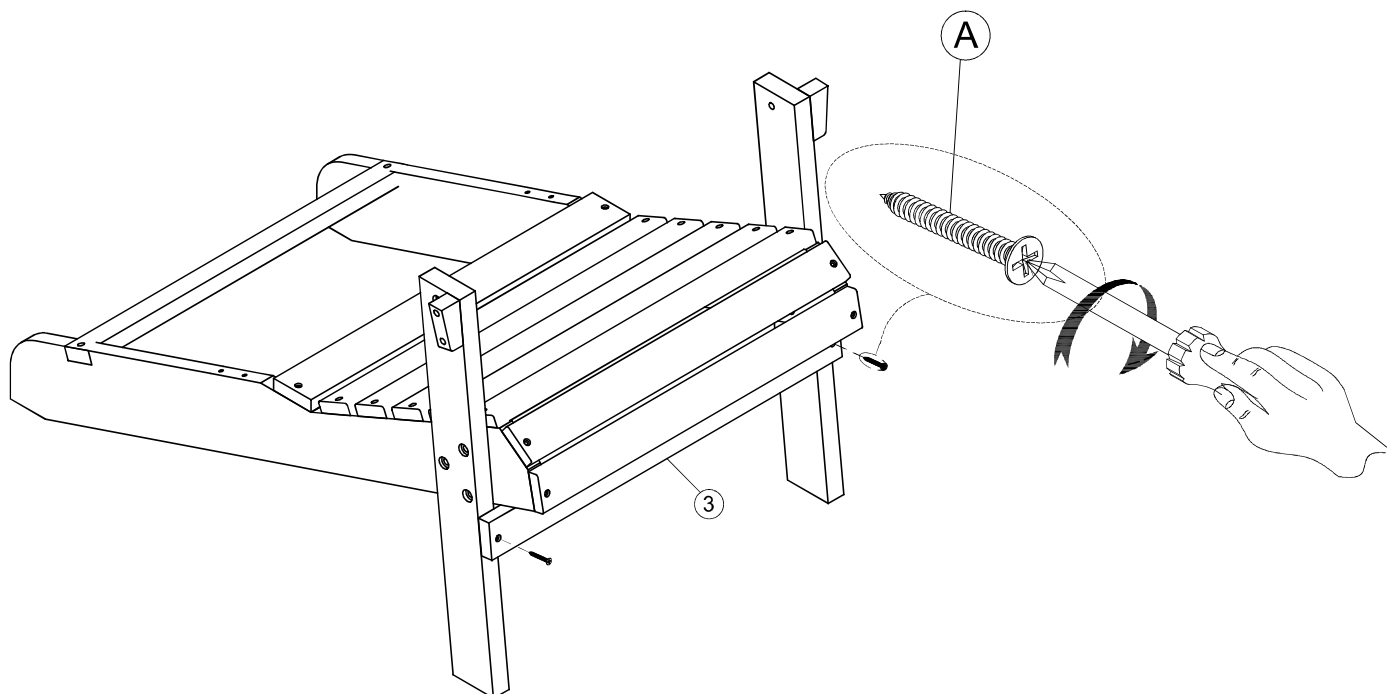
| NO. | HARDWARE LIST | | QTY |
|-----|---|------------------------|-------|
| A |  | Screw #4x40mm | 2pcs |
| B |  | Bolt M6x15mm | 2pcs |
| C |  | Bolt M6x50mm | 6pcs |
| D |  | Allen key 4 mm | 1pc |
| E |  | Bolt M6x35mm | 2pcs |
| F |  | Bolt M6x40mm | 4pcs |
| G |  | Flat washer Ø 16 * 1mm | 10pcs |
| H |  | Bolt M8x50mm | 2pcs |

| NO. | PARTS LIST | QTY |
|-----|-------------|------|
| 1 | Seat | 1pc |
| 2 | Front Leg | 2pcs |
| 3 | Front Brace | 1pc |
| 4 | Arm | 2pcs |
| 5 | Back | 1pc |

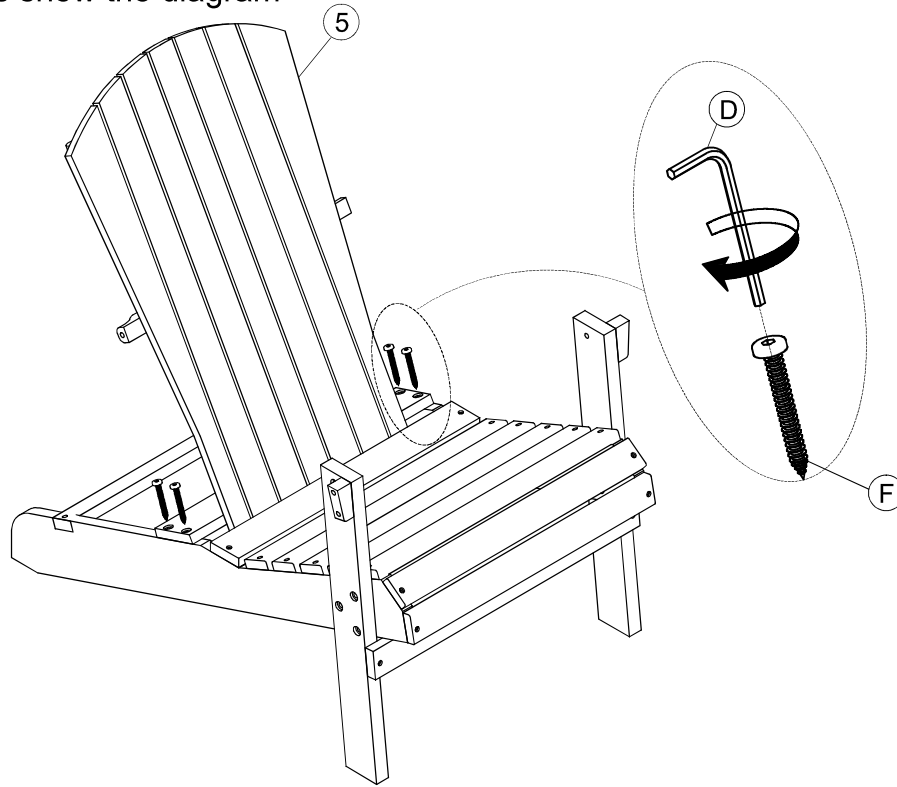
STEP 1: Using the bolts (C) and flat washers (G) attach the front legs (2) to the seat (1) with allen key (D) as show the diagram



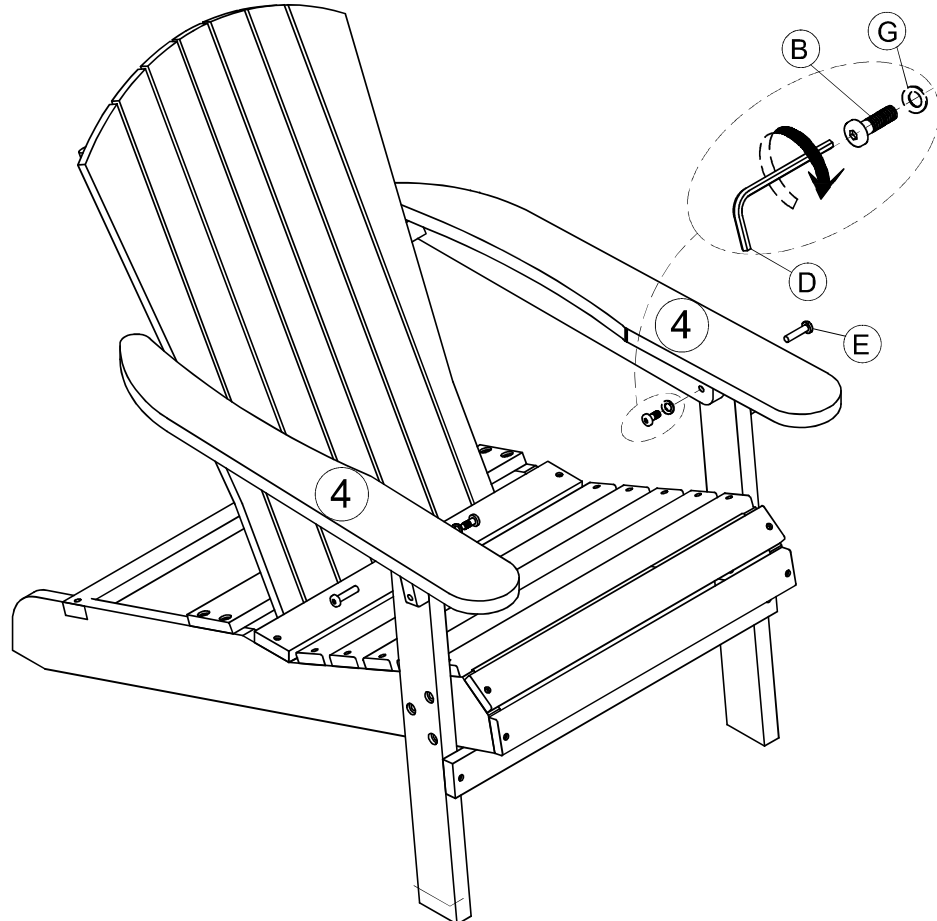
STEP 2: Using the screws (A) attach the front brace (3) to the front legs (2) by screwdriver as show the diagram



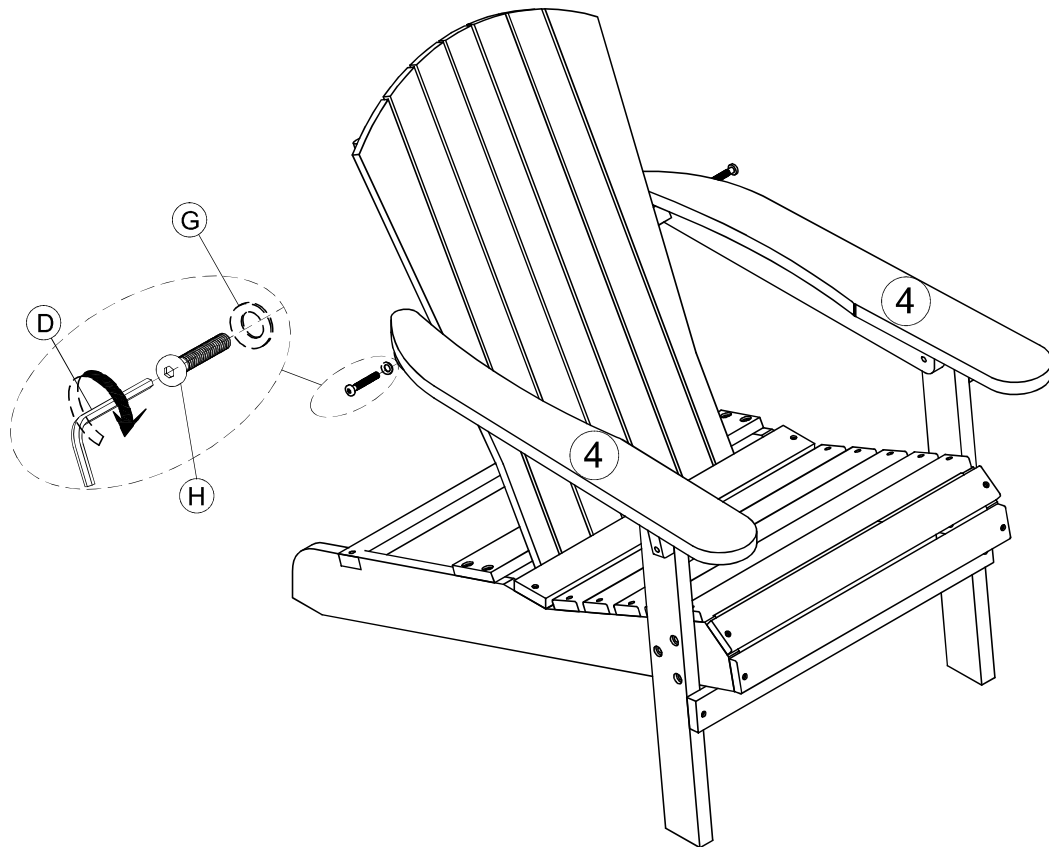
STEP 3: Using the bolts (F) attach the back (5) to the seat (1) with allen key as show the diagram



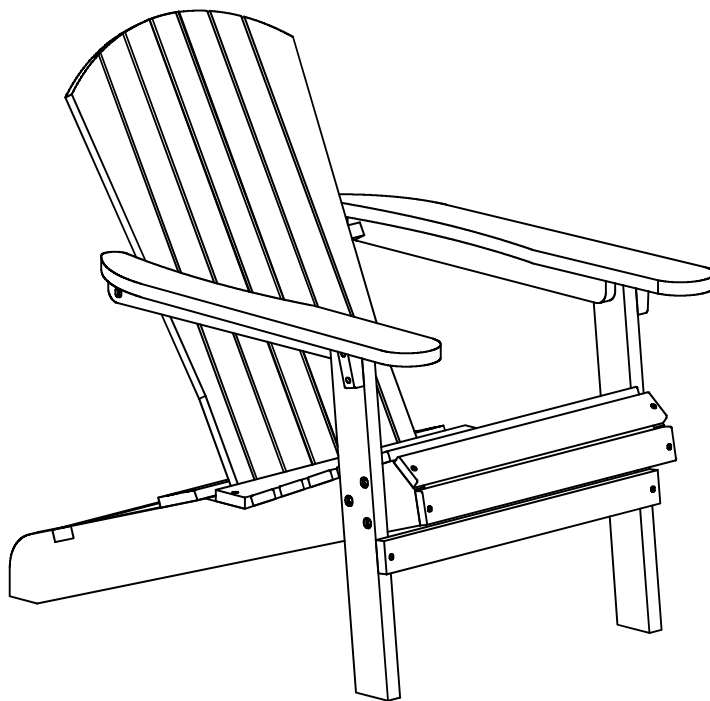
STEP 4: Using the bolts (B), (E) and flat washers (G) attach the arms (4) to the front legs (2) with allen key as show the diagram



STEP 5: Using the bolts (H) and flat washers (G) attach the back to the arms (4) with allen key as show the diagram



ASSEMBLY IS COMPLETE



IMPORTANT: CARE GUIDE FOR YOUR TIMBER FURNITURE

A multi-step finish is applied to all our furniture, but all wood comes from nature. Because of this, there will be natural variations in surface texture and grain like knots, mineral streaks and sap runs that may affect the finish.

These differences in character are not defects, but distinctions that make each piece of furniture unique.

Our furniture is built to last. Following these steps for basic care should protect your investment for years to come.

TIMBERS:

- Prolonged exposure of timber items to the elements may cause premature deterioration
- Regular vacuuming and dusting of items is recommended
- Timber requires regular maintenance and upkeep. Please use the appropriate product to maintain your product (oil\wax), if you are unsure of which product is suitable – please contact the store that you purchased from
- Minor cracking of timber is a natural process and will not compromise the strength of the timber
- To extend the life of your product the use of an Amart approved Outdoor Furniture Cover is highly recommended. Please contact store of purchase for further details

